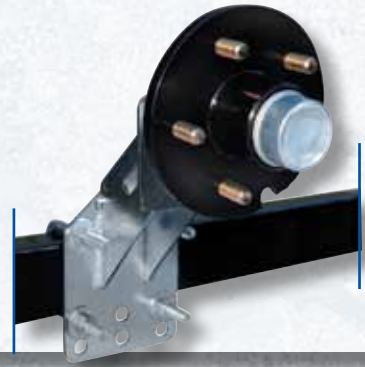


## Spare Hub & Tire Carrier

Includes 5 stud pre-greased hub with bearings. Heavy duty zinc plated steel carrier mounts both spare hub and spare tire. Designed for UHI 1,750# hub with 1-1/16" and 1-3/8" bearings. Fits all trailer frames up to 3" wide and 4" high. Security holes for optional cable and lock.

Part #86079



## Spare Tire Carrier with Eliminator Removable Spindle/Hub

Includes 5 stud pre-greased hub. Heavy duty steel carrier mounts spare hub/torsion spindle and spare tire. Hot dip galvanized for lasting protection. Designed for use with Eliminator Torsion Axles. UHI 1,750# hub with 1-1/16" and 1-3/8" bearings. Fits all trailer frames up to 5" high.

Part #86068



## U-Bolt Spare Tire Carrier

U-bolt 7/16" design, accommodates 4 and 5 lug wheels. Fits 8" thru 14" tires and most 15", 3" thread length - OAL 8-3/4". Zinc plated for lasting protection. Fits all trailer frames up to 3" wide.

With Brackets Part #86092    W/O Brackets Part #86091



## "S" Hook Chain Keepers

These patented safety chain keepers attach easily to the "S" hooks to keep your chains secured to the vehicle. Required in some states. Packed 2 per package.

Part #81255



## Safety Chains

Zinc plated trailer safety chains are packed in pairs with S-Hooks.

Description	Part #
Class 2, 3/16", OAL 31"	81202
Class 3, 1/4", OAL 31"	81203
Class 4, 5/16", OAL 40-3/4"	81204
Class 2, 3/16", OAL 36" (single chain with S-hooks both ends)	81205



## Bow Safety Chains

Tie Down's bow safety chain connects the boat to the bow stand of the trailer. Packed each. 3/16" (OAL 15-1/2")

Part #81201



## Hitch Cables

Replace your noisy chains with self-coiling hitch cables from Tie Down Engineering. Available plain or vinyl coated. Both use durable galvanized aircraft cable construction. Hitch cables exceed SAE J684 standards for trailer coupling and automotive type hitches. Each pair of 36" long cables w/S-hooks are packaged for great looking displays!



Description	Part #
Class 1, 2,000# Trailer, Black Vinyl Jacketed, w/wire safety latch	59533
Class 2, 3,500# Trailer, Galvanized	59535
Class 2, 3,500# Trailer, Black Vinyl Jacketed	59537
Class 3, 5,000# Trailer, Galvanized	59539
Class 3, 5,000# Trailer, Black Vinyl Jacketed	59541
Class 4, 7,000# Trailer, Galvanized	59543
Class 4, 7,000# Trailer, Black Vinyl Jacketed, w/wire safety latch	59545
Class 4, 7,000# Trailer, Black Vinyl Jacketed w/ Safety Latch Hook	59548

## Winch Cables

Galvanized steel 7 x 19 aircraft cable. Each cable is fitted with a heavy duty electro galvanized latch hook, pull proof loop, and a fastener end for replacement. Use on POWER WINCH, DL, SUPERWINCH and other quality power winches.

Cable Size	Capacity	Replaces/Model	Part #
5/32" x 25'	2,800#		59378
3/16" x 20'	4,200#		59379
1/8" x 20'	2,000#	312	59380
3/16" x 25'	4,200#	712	59385
3/16" x 50'	4,200#	712A	59390
7/32" x 25'	5,600#	912A, 912C	59395
7/32" x 50'	5,600#	VS190, VR212	59400



## Winch Straps

Winch straps are 2" wide and have an overall tensile strength of 5,000#. Each strap comes with a heavy duty forged latch hook. Packed 1 per package.



Size/Description	Capacity	Part #
2" x 15'	5,000#	50465
2" x 20' (a)	5,000#	50470
2" x 20' w/tail (b)	5,000#	50472
2" x 25'	5,000#	50475
2" x 15' w/PWC Strap	5,000#	50460

## Hooks

Replace your worn out hook with a new zinc plated forged latch hook. Packed 1 hook per package.

Description	Part #
XBC55, 7,000#	50640
XDL90, 7,500#	50645
XEAey, 12,000#	50641



## Quick Links

Quick links are ideal for use with trailer chains, zinc plated.

Size	Pack Qty	Part #
3/16"	2	50646
1/4"	2	50647
5/16"	1	50648
3/8"	1	50649

## Utility Carrier



- 500# carrying capacity
- Galvanized 20" x 60" deck pan
- 16-gauge
- Solid bottom repels road grime
- Fits all 2" hitch receivers
- Dimpled floor reduces cargo shifting
- Installs in minutes
- Tie down hook slots on all sides
- UPS shippable

Part #86112



## Fold-Up Utility Carrier



Same features as the 500# Utility Carrier, now available with a fold up hitch unit. Fits all 2" hitch receivers.

Part #86168

