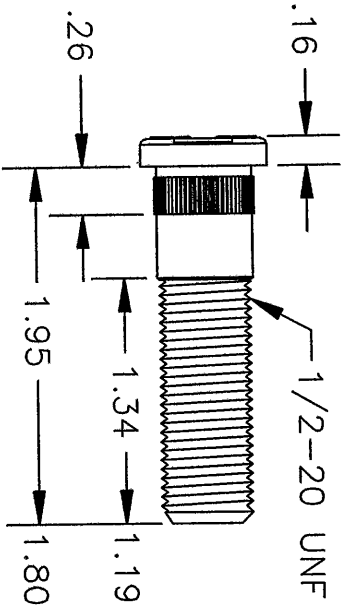
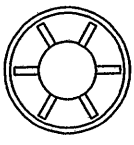


# DEXTER AXLE 1/2" PRESS-IN WHEEL STUDS

5/3/03

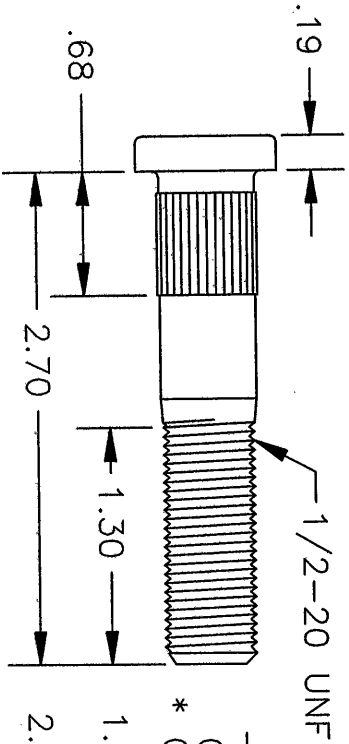
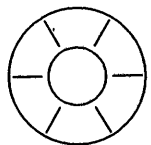
Page 1 of 2

HEAD  
MARKING



PN	FLUTE O.D.
007-246-00	.54
* 007-246-01	

1.19 PRIOR TO 05/01/2009  
1.80 PRIOR TO 05/01/2009



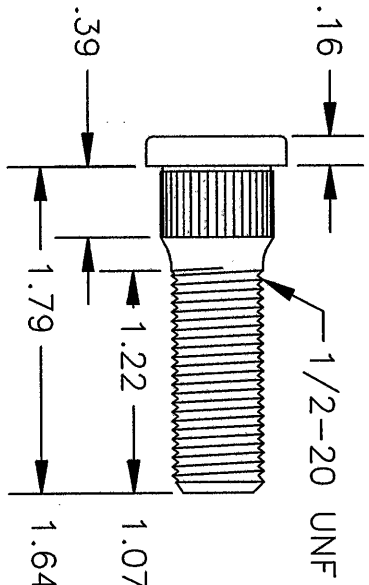
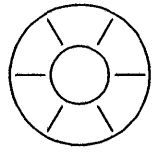
PN	FLUTE O.D.
007-262-00	.54
* 007-262-01	

1.10 PRIOR TO 05/01/2009  
2.50 PRIOR TO 05/01/2009

NOTE: Shown Actual Size

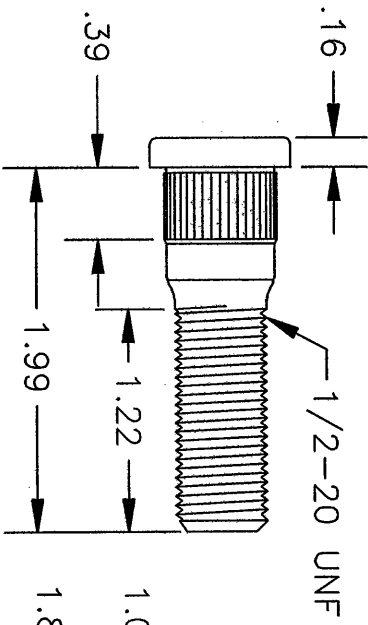
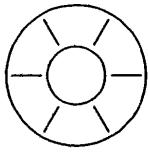
\* = ZINC PLATED STUD

HEAD MARKING



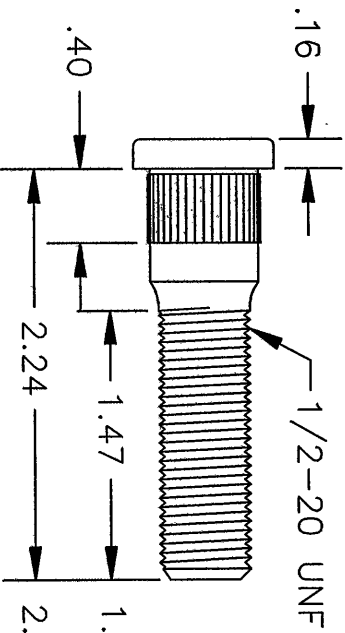
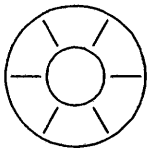
1.07 PRIOR TO 05/01/2009  
1.64 PRIOR TO 05/01/2009

PN	FLUTE O.D.
007-185-00	.62



1.07 PRIOR TO 05/01/2009  
1.84 PRIOR TO 05/01/2009

PN	FLUTE O.D.
007-122-00	.62
* 007-122-01	



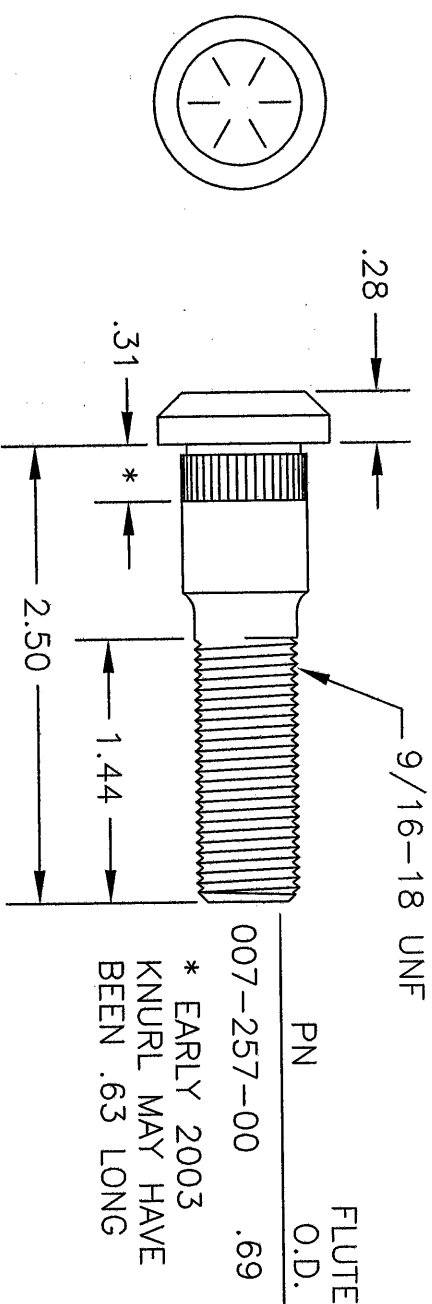
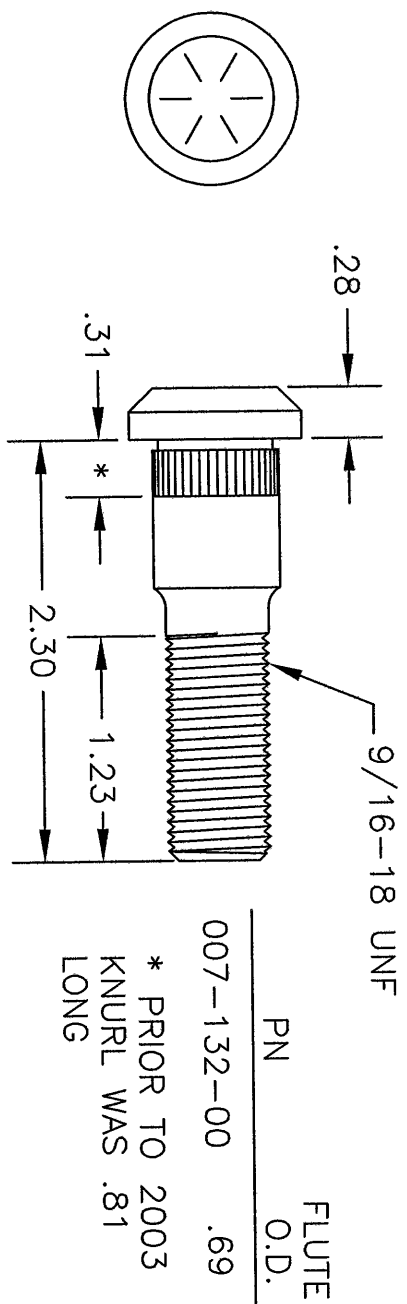
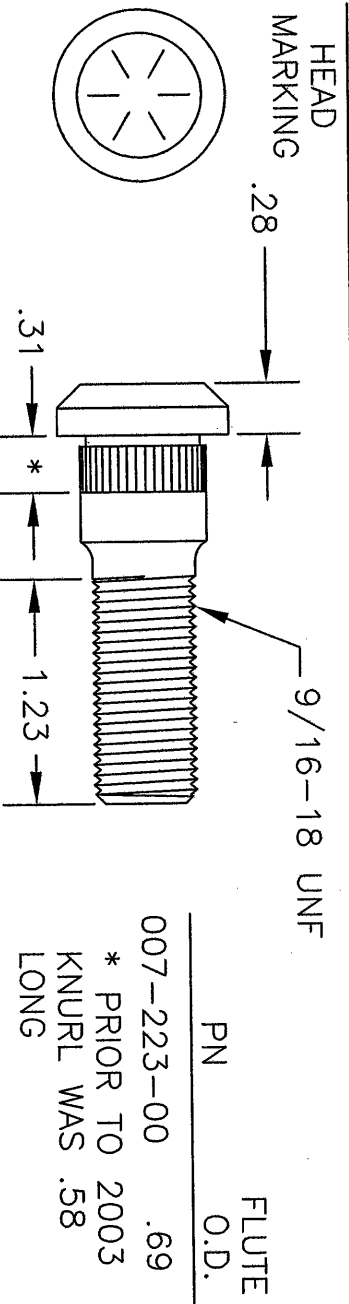
1.32 PRIOR TO 05/01/2009  
2.09 PRIOR TO 05/01/2009

PN	FLUTE O.D.
* 007-150-00	.62
* 007-150-01	

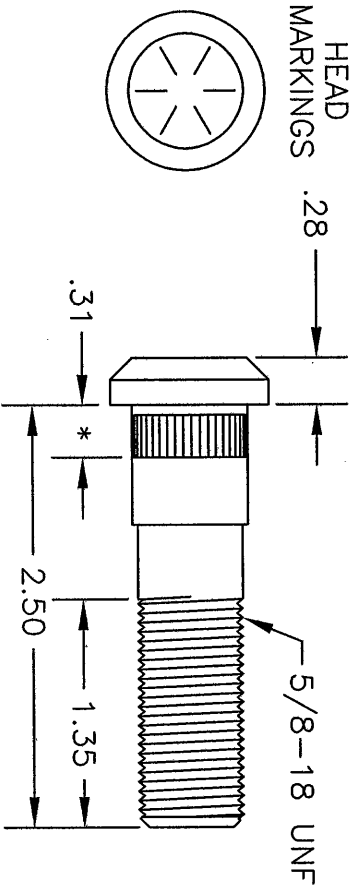
NOTE: Shown Actual Size

\* = ZINC PLATED STUD

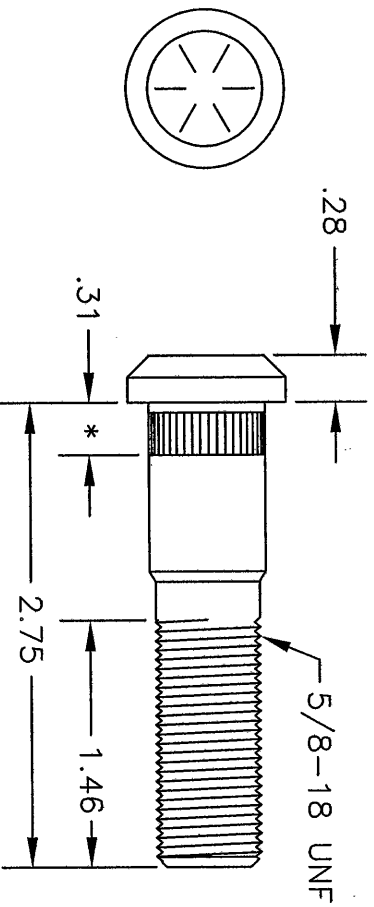
# DEXTER AXLE 9/16" PRESS-IN WHEEL STUDS



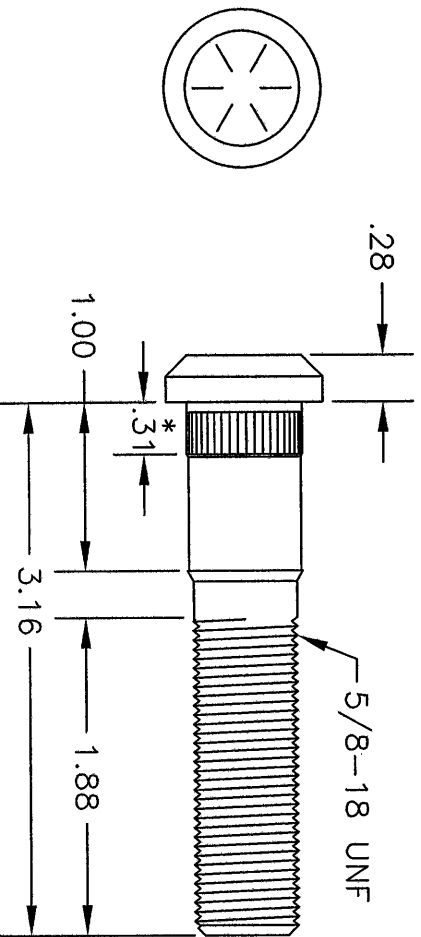
# DEXTER AXLE 5/8" PRESS-IN WHEEL STUDS



PN	FLUTE O.D.
007-224-00	.69
* PRIOR TO 2003 KNURL WAS .71 LONG	



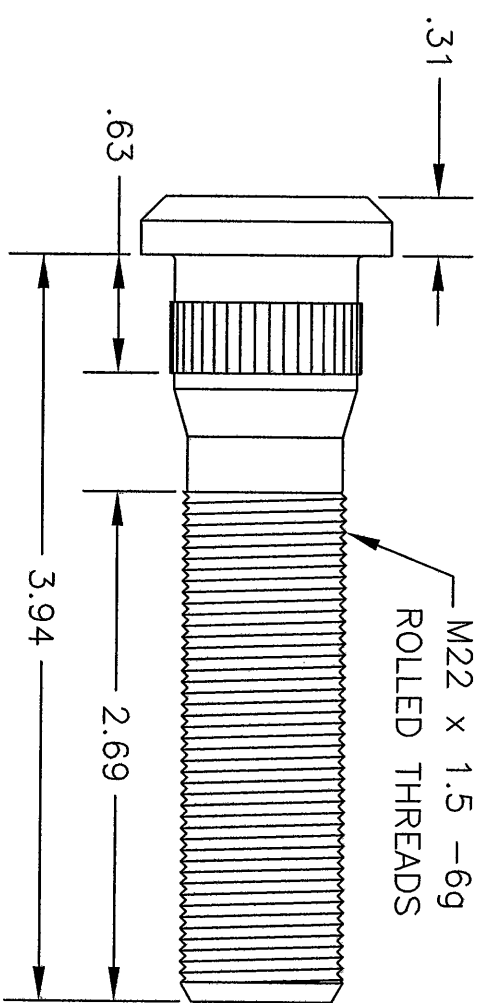
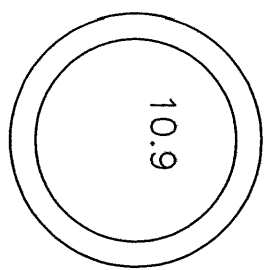
PN	FLUTE O.D.
007-232-00	.69
* PRIOR TO 2003 KNURL WAS 1.00 LONG	



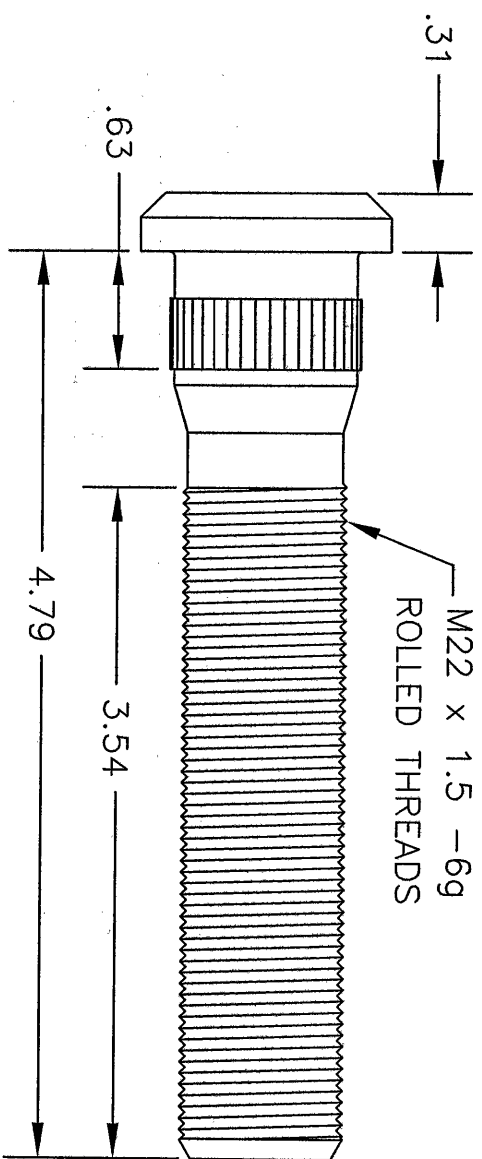
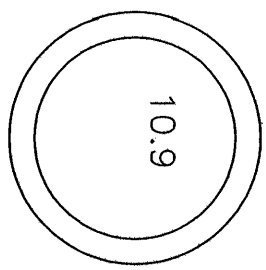
PN	FLUTE O.D.
007-115-00	.69
* PRIOR TO 2003 KNURL WAS 1.00" LONG	

# DEXTER AXLE 22mm PRESS-IN WHEEL STUDS

HEAD MARKINGS



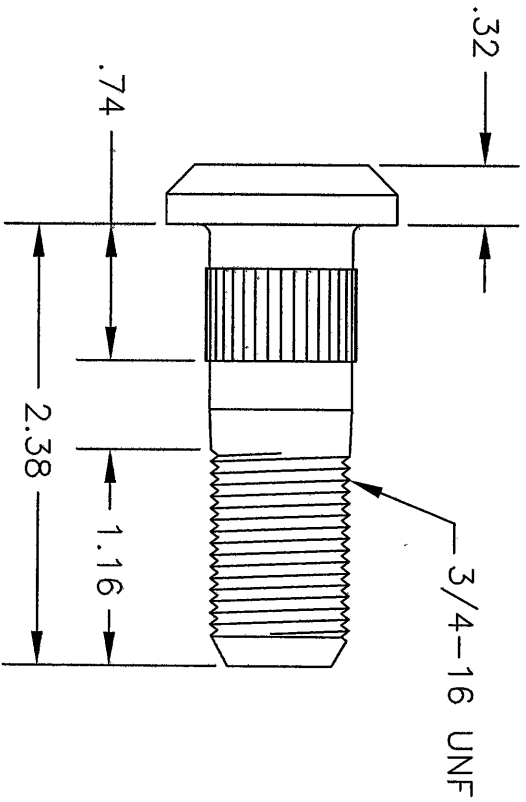
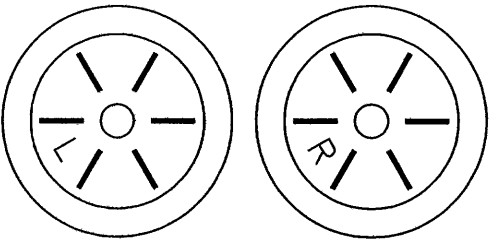
PN	FLUTE
007-194-00	O.D.
	1.01"



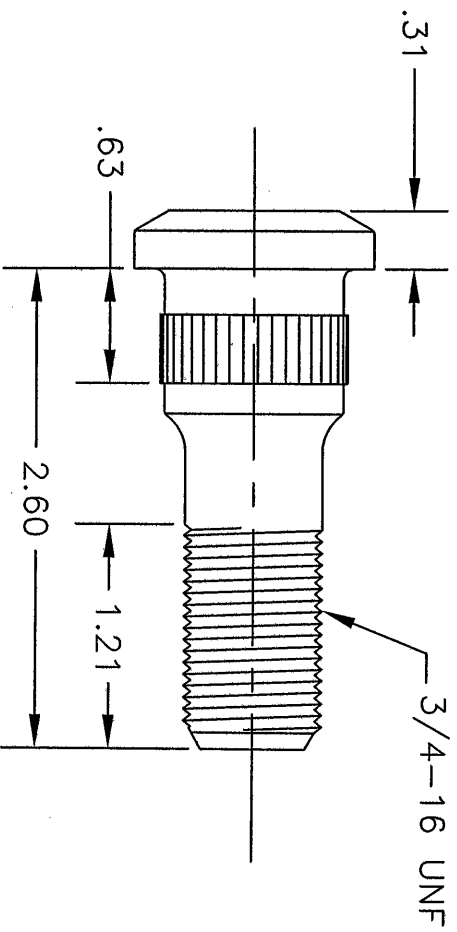
PN	FLUTE
007-195-00	O.D.
	1.01"

# DEXTER AXLE 3/4" PRESS-IN WHEEL STUDS

HEAD MARKINGS



PN	FLUTE O.D.
007-102-01	RH
007-102-02	LH
	.82

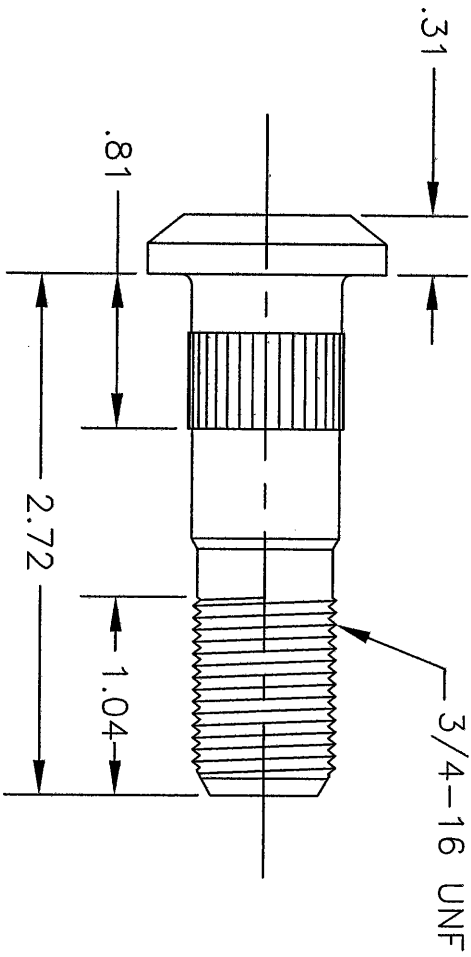
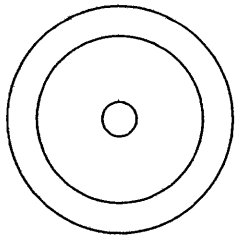


PN	FLUTE O.D.
007-241-00	RH
007-241-01	LH
	1.01

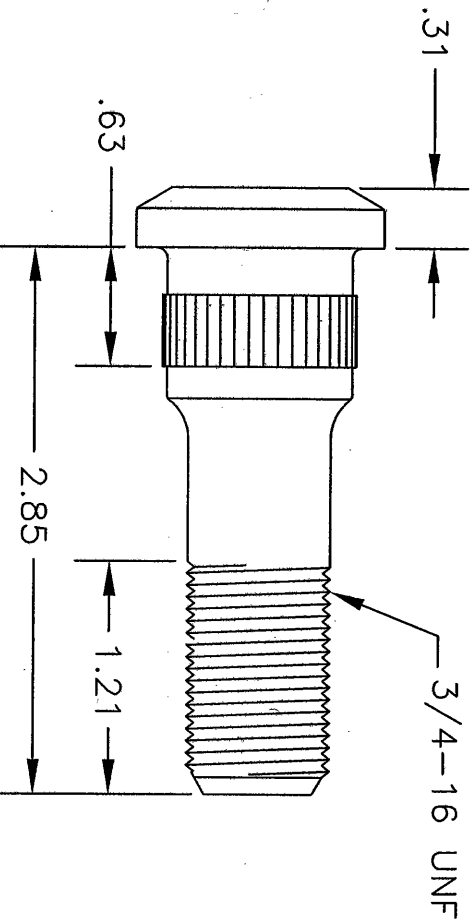
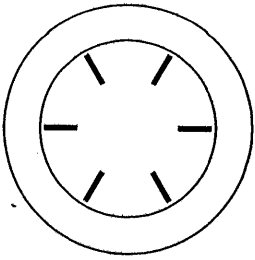
# DEXTER AXLE 3/4" PRESS-IN WHEEL STUDS

HEAD MARKINGS

Page 2 of 2



PN	FLUTE O.D.
007-192-00 RH	.82
007-192-01 LH	



PN	FLUTE O.D.
007-242-00 RH	1.01
007-242-01 LH	